

WE3800

Aluminium / steel alloy structure

Reduction unit with worm wheel and irreversible worm-screw. Reverse motion is possible only when the operator pulls the operating lever. Therefore this reduction system requires no brakes.

Manual drum clutch for drum engagement – disengagement.

Line speed 1st layer of cable (with empty drum): 5 m/m

Ratio 38:1 (total ratio: 213:1)

1st cable layer pulling capacity measured by dynamometer (with empty drum): 3800 kg

Zinc-plated steel cable guide with sliding rollers

CE- marked shockproof control pendant with pin connection

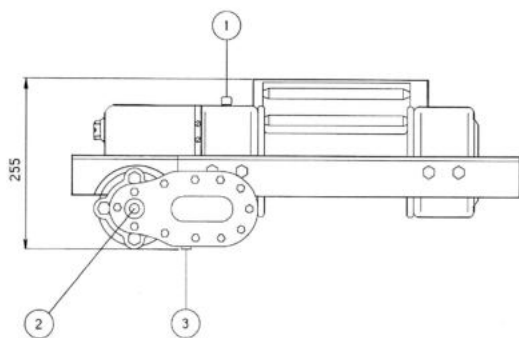
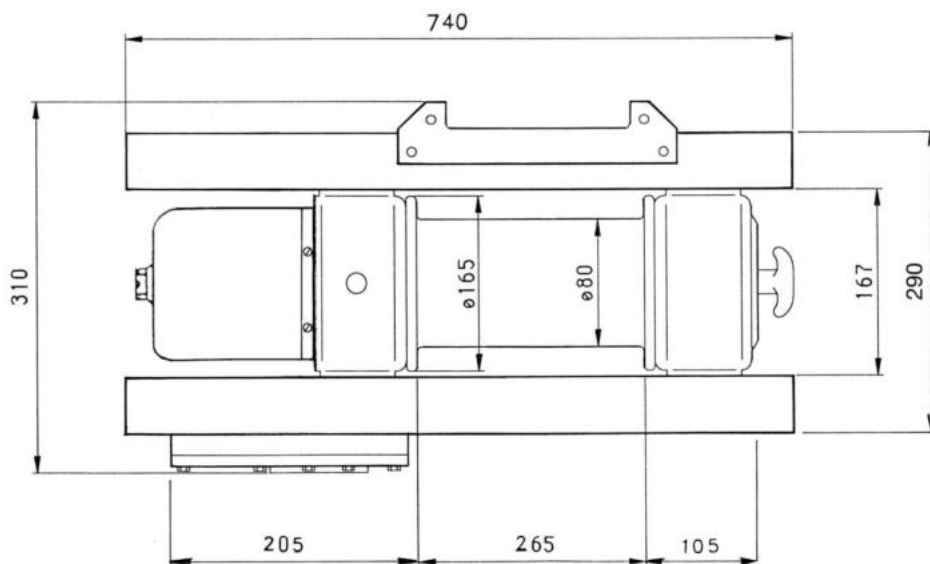
Radio control kit (extra)

24 V version

Max. current consumption 42 A

Total weight without cable: 46 kg

Max cable capacity: 35 m Ø 10 mm (extra)



- 1 - Oil filling plug
- 2 - Oil level plug
- 3 - Oil drain plug

CABLE LAYER	LINE PULL	CABLE LENGTH
1 st	3780 kg	6,65 m
2 nd	3020 kg	14,97 m
3 rd	2520 kg	24,95 m
4 th	2160 kg	36,59 m
Max. cable capacity: 35 m Ø 10 mm		